

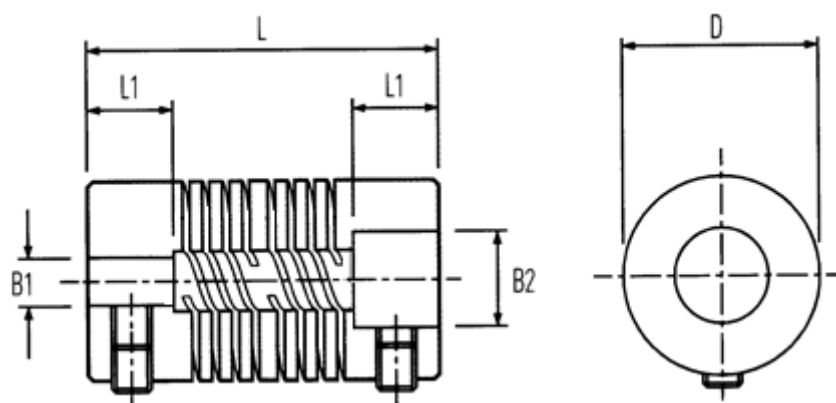
Data Sheet



Article number: 339710320000

Description: Multibeam 6 Coupling 710.32.0000
Acetal & set screw hubs

Measures



B1: Pre-drilled	= 8.0	Peak Torque NM = 4.00
B2: Pre-drilled	= 10.00	Set Screw = M6
D	= 31.8	
L	= 57.2	
L1	= 16.0	
Max angular displacement	= 0.50	
Max B1 & B2	= 16.00	
Max parallel displacement	= 7	